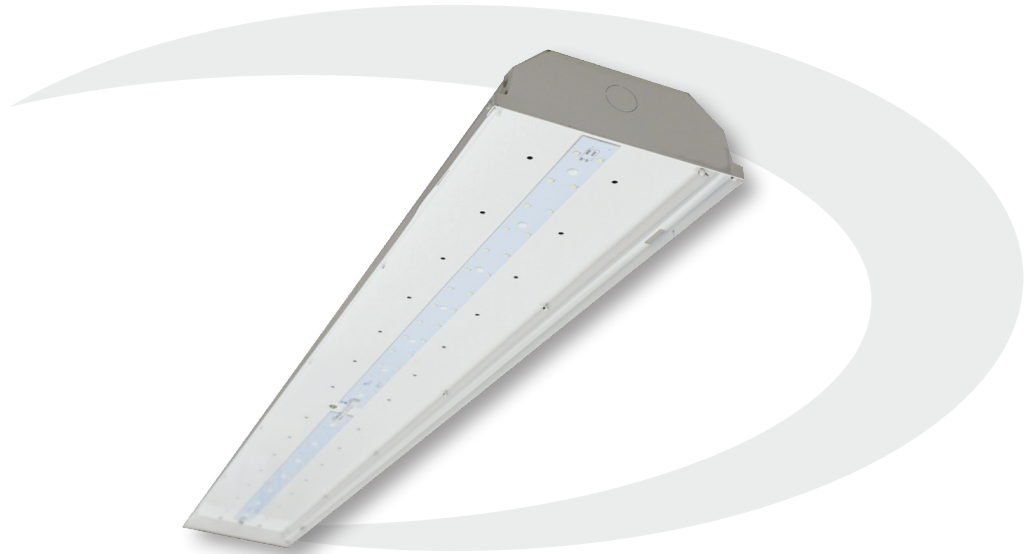


E-HLC07B Series

LED Linear High Bay

Replaces 2-Lamp - T5HO 54W / 4-Lamp - T8 32W



Designed with your budget in mind, these LED Linear High Bays offer:

- A simple, streamlined design that's cost effective
- The right amount of power for your application - up to 126 lumens per watt
- A footprint that's up to 68% smaller than comparable technology

High-Performance

- Up to 55% energy savings compared to linear fluorescent fixtures
- High-powered, discrete LEDs are engineered for consistent coverage

Value

- Comes standard without lens for low cleaning maintenance
- High-output frosted lens available for a soft glow and LED protection
- 6' straight blade plug included

Recommended Use

- Warehouses
- Industrial
- Retail

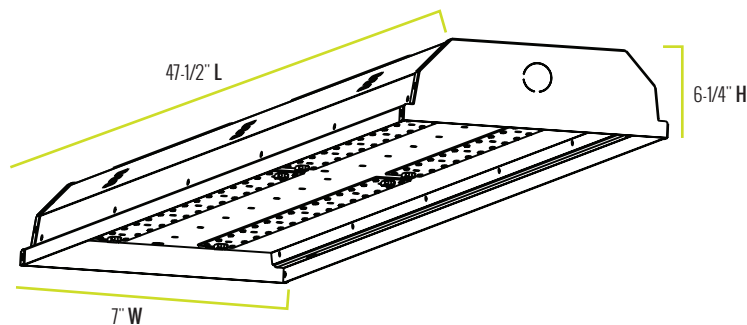
Input Voltage

- Universal (120V through 277V Operation)

Certifications



E-HLC07B Series



Series Overview

| DIMENSIONS | PRODUCT WEIGHT | MOUNTING HEIGHT | SPACING |
|-----------------------------|----------------|-----------------|--------------------------------------|
| 47-1/2" L x 7" W x 6-1/4" H | 3.0 lbs. | 10 to 20 feet | 1 to 1-1/2 times the mounting height |

Fixture Specifications

| | |
|----------------------|---|
| HOUSING | High-quality steel housing with UV-stabilized, powder-coat finish |
| LENS ASSEMBLY | Comes standard with no lens Frosted polycarbonate lens (sold separately) |
| MOUNTING | Included v-hook, chain and 6" straight blade plug |

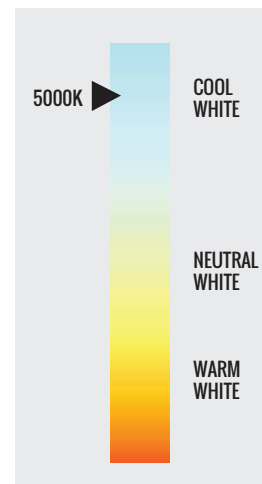
Electrical Performance

| OPERATING RANGE | LIFESPAN <small>L₇₀ AT 25°C (77°F)</small> | POWER FACTOR | TOTAL HARMONIC DISTORTION | DIMMABLE |
|--|--|--------------|---------------------------|-------------|
| -18°C - 50°C (0°F - 122°F) with No Lens | Estimated > 70,000 Hours | > 0.99 | < 10% | No |
| -18°C - 40°C (0°F - 104°F) with Clear or Frosted Lens | | | | |
| INPUT VOLTAGE | 120V | 208V | 240V | 277V |
| Current Draw (Amps) | 0.50A | 0.29A | 0.25A | 0.22A |

Warranty & Certifications

| WARRANTY | UL LISTED | DLC | ENERGY STAR |
|----------------|----------------|-----|-------------|
| 5-Year Limited | Damp Locations | Yes | --- |

CORRELATED COLOR TEMPERATURE (CCT)



Output Specifications

| SKU | LIGHT OUTPUT | COLOR TEMP <small>(See chart)</small> | POWER CONSUMPTION | COLOR ACCURACY | REPLACES |
|------------------------|----------------------------------|--|-------------------|----------------|--|
| E-HLC07B-HK50UW | 7500 Lumens with No Lens | Cool White (5000K) | 60W | 80 CRI | 2-Lamp - T5HO 54W / 4-Lamp - T8 32W |
| | 6700 Lumens with Clear Lens | | | | |
| | 5500 Lumens with Frosted Lens | | | | 2-Lamp - T8 32W |

Due to continuous product improvement, information in this document is subject to change.

Revision Date: 08/23/17

1501 96th Street, Sturtevant, WI 53177 | Phone (888) 243-9445 | Fax (262) 504-5409 | www.e-conolight.com



E-HLC07B Series

Accessories (available with fixture purchase only)



Low-Output Frosted Lens
For use with E-HLC07 & E-HLC14 Series only
Made from polycarbonate material
SKU: **E-HLC-LO-LENS-FR**



Low-Output Clear Lens
For use with E-HLC07 & E-HLC14 Series only
Made from polycarbonate material
SKU: **E-HLC-LO-LENS-CL**



6' Cord with Twist-Lock Plug
SKU: **E-1CP61** (120V)
E-1CP62 (277V)
E-1CP64 (208V or 240V)



Locking Type Receptacle
(3-Blade Twist-Lock)
SKU: **E-ACRCPT31** (120V, 3-Wire, NEMA L5-15R)
E-ACRCPT32 (277V, 3-Wire, NEMA L7-15R)
E-ACRCPT34 (208V/240V, 3-Wire, NEMA L6-15R)

Size Comparison (LED vs. Fluorescent)

Compared to 2-Lamp - T8 32W & 4-Lamp - T8 32W Linear Fluorescents, the E-HLC07 Series:

- Is 47 - 68% smaller for ease of installation
- Consumes less power, while producing the same light output



Generational Chart

| OLD SERIES | NEW SERIES |
|-----------------|-----------------|
| E-HLC07A Series | E-HLC07B Series |

Due to continuous product improvement, information in this document is subject to change.

Revision Date: 08/23/17

1501 96th Street, Sturtevant, WI 53177 | Phone (888) 243-9445 | Fax (262) 504-5409 | www.e-conolight.com

