

E-HTE14 Series

LED Round High Bay
Replaces 250W PSMH



Prismatic



Aluminum

Designed with your budget in mind, these LED Round High Bays Offer:

- A simple, streamlined design that's cost effective
- The right amount of power for your application - 123 lumens per watt
- Compact, lightweight design for easy installation

High Performance

- Up to 53% energy savings compared to HID equivalent
- Next generation Cree arrays are engineered for consistent coverage

Recommended Use

- Warehouses
- Industrial
- Retail

Value

- Comes standard without lens for low cleaning maintenance
- 6' cord with straight blade plug included

Input Voltage

- Universal (120V through 277V Operation)

Certifications

5 YEAR
WARRANTY

SUITABLE FOR
DAMP
LOCATIONS
UL
LISTED

DLC
LISTED

CREE LEDs

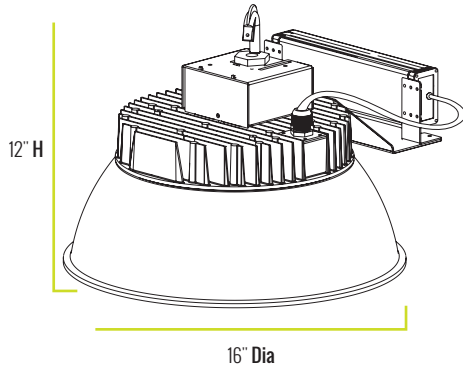
(E-HTE14B-HK40UW-A2,
E-HTE14B-HK50UW-P2,
E-HTE14B-HK40UW-P2 ONLY)

e-conolight

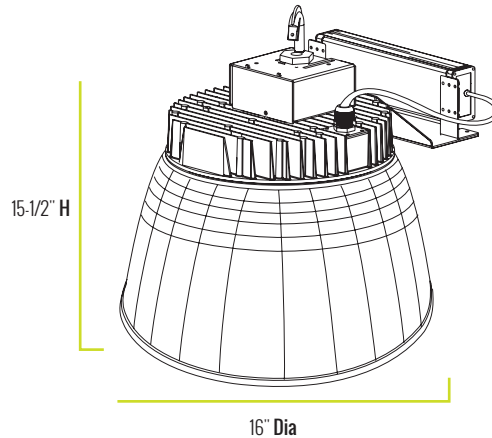
Quality Products, Affordably Priced.

E-HTE14 Series

Aluminum



Prismatic



Note: Prismatic reflectors not intended for use in environments where any concentrations of industrial cutting fluids are used.

Series Overview

| DIMENSIONS | PRODUCT WEIGHT | MOUNTING HEIGHT | SPACING |
|---------------------------------|----------------|-----------------|--|
| 12" H x 16" Dia (Aluminum) | 12 lbs. | 15 to 25 feet | 1-1/4 to 1-1/2 times the mounting height |
| 15-1/2" H x 16" Dia (Prismatic) | 12.5 lbs. | | |

Fixture Specifications

| | |
|----------------------|--|
| HOUSING | Durable, die-cast aluminum heat sink & housing White polyester powder-coat finish |
| LENS ASSEMBLY | Comes standard with no lens 16" spun aluminum reflector (white) or 16" acrylic prismatic reflector |
| MOUNTING | Included hook and 6' cord with straight blade plug Pendant mount using 3/4" threaded conduit entry on top |

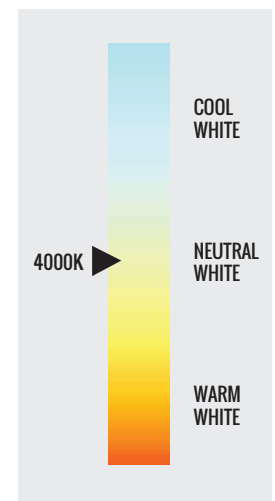
Electrical Performance

| OPERATING RANGE | LIFESPAN L_{70} AT 25°C (77°F) | POWER FACTOR | TOTAL HARMONIC DISTORTION | DIMMABLE |
|----------------------------|-------------------------------------|--------------|---------------------------|-------------|
| 0°C (32°F) - 40°C (104°F) | Estimated > 100,000 Hours | > 0.9 | < 15% | No |
| INPUT VOLTAGE | 120V | 208V | 240V | 277V |
| Current Draw (Amps) | 0.98A | 0.57A | 0.49A | 0.43A |

Warranty & Certifications

| WARRANTY | UL LISTED | DLC | ENERGY STAR |
|----------------|----------------|--|-------------|
| 5-Year Limited | Damp Locations | Yes (E-HTE14B-HK40UW-A2, E-HTE14B-HK50UW-P2, E-HTE14B-HK40UW-P2 ONLY) | --- |

CORRELATED COLOR TEMPERATURE (CCT)



Due to continuous product improvement, information in this document is subject to change.

Revision Date: 04/22/18

1501 96th Street, Sturtevant, WI 53177 | Phone (888) 243-9445 | Fax (262) 504-5409 | www.e-conolight.com

E-HTE14 Series

Output Specifications

| SKU | LIGHT OUTPUT | COLOR TEMP (See chart on previous page) | POWER CONSUMPTION | COLOR ACCURACY | REPLACES |
|---------------------------------------|---------------|--|-------------------|----------------|-----------|
| E-HTE14B-HK50UW-A2 (Aluminum) | 14,500 Lumens | Cool White (5000K) | 118W | 70 CRI | 250W PSMH |
| E-HTE14B-HK40UW-A2 (Aluminum) | 14,500 Lumens | Neutral White (4000K) | 118W | 70 CRI | 250W PSMH |
| E-HTE14B-HK50UW-P2 (Prismatic) | 14,500 Lumens | Cool White (5000K) | 118W | 70 CRI | 250W PSMH |
| E-HTE14B-HK40UW-P2 (Prismatic) | 14,500 Lumens | Neutral White (4000K) | 118W | 70 CRI | 250W PSMH |

Accessories (available with fixture purchase only)



6' Cord with 3-Blade Twist-Lock Plug

SKU: **E-3CP61** (120V)
E-3CP62 (277V)
E-3CP64 (208V or 240V)



Locking Type Receptacle (3-Blade Twist-Lock)

SKU: **E-ACRCPT31** (120V, 3-Wire, NEMA L5-15R)
E-ACRCPT32 (277V, 3-Wire, NEMA L7-15R)
E-ACRCPT34 (208V/240V, 3-Wire, NEMA L6-15R)

Generational Chart

| OLD SERIES | NEW SERIES |
|---------------------------|---------------------------|
| E-HTE14A-HK50UW-A2 | E-HTE14B-HK50UW-A2 |
| E-HTE14A-HK40UW-A2 | E-HTE14B-HK40UW-A2 |
| E-HTE14A-HK50UW-P2 | E-HTE14B-HK50UW-P2 |
| E-HTE14A-HK40UW-P2 | E-HTE14B-HK40UW-P2 |