

E-HTE26 Series

LED Round High Bay
Replaces 400W PSMH



Designed with your budget in mind, these LED Round High Bays offer:

- A simple, streamlined design that's cost effective
- The right amount of power for your application - 126 lumens per watt
- Compact, lightweight design for easy installation

High Performance

- Up to 60% energy savings compared to HID equivalent
- Next generation Cree arrays are engineered for consistent coverage

Value

- Comes standard without lens for low cleaning maintenance
- 6' cord with straight blade plug included

Recommended Use

- Warehouses
- Industrial
- Retail

Input Voltage

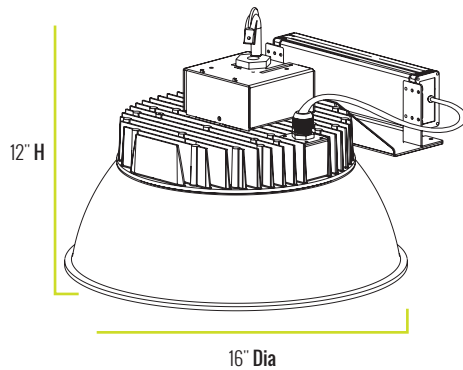
- Universal (120V through 277V Operation)

Certifications

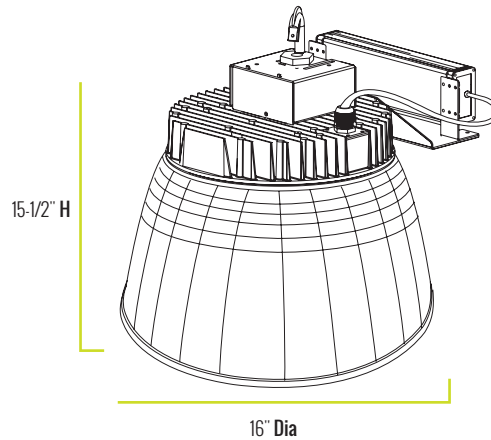


E-HTE26 Series

Aluminum



Prismatic



Note: Prismatic reflectors not intended for use in environments where any concentrations of industrial cutting fluids are used.

Series Overview

DIMENSIONS	PRODUCT WEIGHT	MOUNTING HEIGHT	SPACING
12" H x 16" Dia (Aluminum)	12.5 lbs.	20 to 35 feet	1 to 1-1/4 times the mounting height
15-1/2" H x 16" Dia (Prismatic)	13.0 lbs.	20 to 35 feet	1 to 1-1/4 times the mounting height

Fixture Specifications

HOUSING	Durable, die-cast aluminum heat sink & housing White polyester powder-coat finish
LENS ASSEMBLY	Comes standard with no lens 16" spun aluminum reflector (white) or 16" acrylic prismatic reflector
MOUNTING	Included hook and 6' cord with straight blade plug Pendant mount using 3/4" threaded conduit entry on top

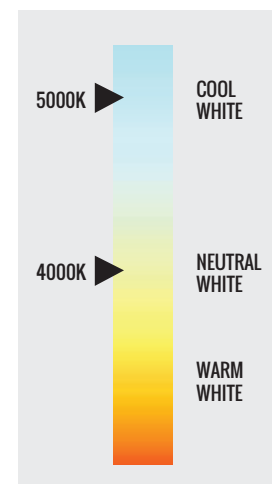
Electrical Performance

OPERATING RANGE	LIFESPAN <i>L</i> ₇₀ AT 25°C (77°F)	POWER FACTOR	TOTAL HARMONIC DISTORTION	DIMMABLE
0°C (32°F) - 40°C (104°F)	Estimated > 70,000 Hours	> 0.9	< 15%	No
INPUT VOLTAGE	120V	208V	240V	277V
Current Draw (Amps)	1.75A	1.01A	0.88A	0.76A

Warranty & Certifications

WARRANTY	UL LISTED	DLC	ENERGY STAR
5-Year Limited	Damp Locations	Yes	---

CORRELATED COLOR TEMPERATURE (CCT)



Due to continuous product improvement, information in this document is subject to change.

Revision Date: 08/16/17

1501 96th Street, Sturtevant, WI 53177 | Phone (888) 243-9445 | Fax (262) 504-5409 | www.e-conolight.com

E-HTE26 Series

Output Specifications

SKU	LIGHT OUTPUT	COLOR TEMP (See chart on previous page)	POWER CONSUMPTION	COLOR ACCURACY	REPLACES
E-HTE26A-HK50UW-A2 (Aluminum)	26,500 Lumens	Cool White (5000K)	210W	70 CRI	400W PSMH
E-HTE26A-HK50UW-P2 (Prismatic)	26,500 Lumens	Cool White (5000K)	210W	70 CRI	400W PSMH

Accessories (available with fixture purchase only)



6' Cord with 3-Blade Twist-Lock Plug

Strain relief included

SKU: **E-3CP61** (120V)
E-3CP62 (277V)
E-3CP64 (208V or 240V)



Locking Type Receptacle (3-Blade Twist-Lock)

SKU: **E-ACRCPT31** (120V, 3-Wire, NEMA L5-15R)
E-ACRCPT32 (277V, 3-Wire, NEMA L7-15R)
E-ACRCPT34 (208V/240V, 3-Wire, NEMA L6-15R)