

E-HLD20 Series

Premium LED Linear High Bay

Replaces 4 Lamp - T5HO 54W / 8 Lamp - T8 32W



Demand more with Premium LED Linear High Bays:

- Custom options without the custom price
- 126 lumens per watt - plus, dimming and surge protection come standard
- A footprint that is 60-75% smaller than comparable technology

Premium Design

- Vented steel design for optimal thermal management
- 10kA surge protection included

Recommended Use

- Warehouses
- Industrial
- Retail

High Performance

- Up to 57% energy savings compared to linear fluorescent fixtures
- High-powered, discrete LEDs are engineered for consistent coverage

Input Voltage

- Universal (120V through 277V Operation)

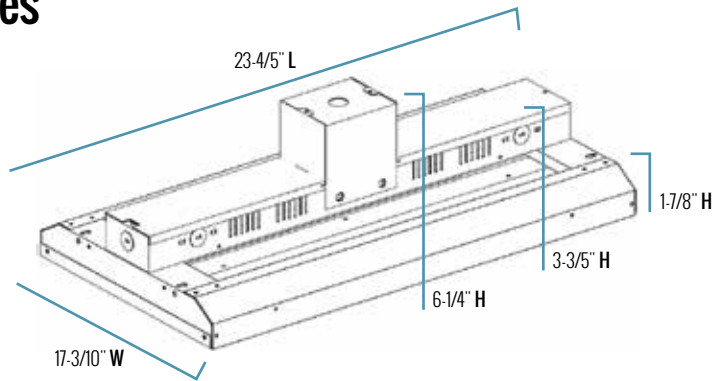
Certifications



e-cono**light**[®]

Making LED easy.

E-HLD20 Series



Series Overview

DIMENSIONS	PRODUCT WEIGHT	MOUNTING HEIGHT	SPACING
23.4/5" L x 17.3/10" W x 3.3/5" H	15.0 lbs.	20 to 35 feet	1 to 1-1/2 times the mounting height

Fixture Specifications

HOUSING	Vented steel housing provides thermal management through natural convection
LENS ASSEMBLY	Clear acrylic lens
WIRING	Fixture can be wired in parallel, but not in series (daisy chained)
MOUNTING	Included v-hook and chain Optional pendant mount kit (sold separately) Fixture must be a minimum of 7" below ceiling

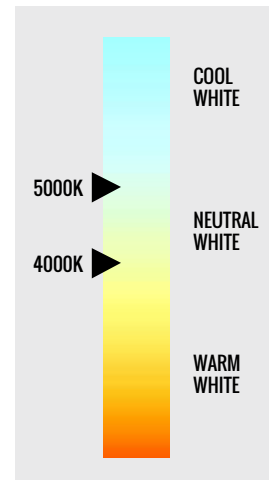
Electrical Performance

OPERATING RANGE	LIFESPAN <small>L₇₀ AT 25°C (77°F)</small>	POWER FACTOR	TOTAL HARMONIC DISTORTION	DIMMABLE
-18°C - 40°C (0°F - 104°F)	Estimated > 70,000 Hours	> 0.98	< 10%	Yes (0-10V)
INPUT VOLTAGE	120V	208V	240V	277V
Current Draw (Amps)	1.33A	0.77A	0.67A	0.58A

Warranty & Certifications

WARRANTY	UL LISTED	DLC	ENERGY STAR
5-Year Limited	Damp Locations	Yes, Premium	---

CORRELATED COLOR TEMPERATURE (CCT)



Output Specifications

SKU	LIGHT OUTPUT	COLOR TEMP <small>(See chart)</small>	POWER CONSUMPTION	COLOR ACCURACY	REPLACES
E-HLD20A-HK40UW	20,000 Lumens	Neutral White (4000K)	160W	80 CRI	4 Lamp - T5HO 54W / 8 Lamp - T8 32W
E-HLD20A-HK50UW	20,000 Lumens	Cool White (5000K)	160W	80 CRI	4 Lamp - T5HO 54W / 8 Lamp - T8 32W

Due to continuous product improvement, information in this document is subject to change.

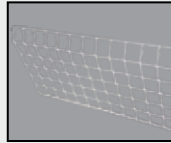
Revision Date: 11/30/16

1501 96th Street, Sturtevant, WI 53177 | Phone (888) 243-9445 | Fax (262) 504-5409 | www.e-conolight.com



E-HLD20 Series

Accessories (available with fixture purchase only)



Wire Guard
SKU: **E-HLD20A-WG**



6' Cord with Straight Blade Plug
Strain relief included
SKU: **E-1CP61S** (120V)



PIR Motion Sensor
On/Off functionality (no dim setting)
SKU: **E-HLD-MS-PIR**



6' Cord with Twist-Lock Plug
SKU: **E-1CP61** (120V)
E-1CP62 (277V)
E-1CP64 (208V or 240V)



Pendant Mount Kit
SKU: **E-HLD-MT-PD**

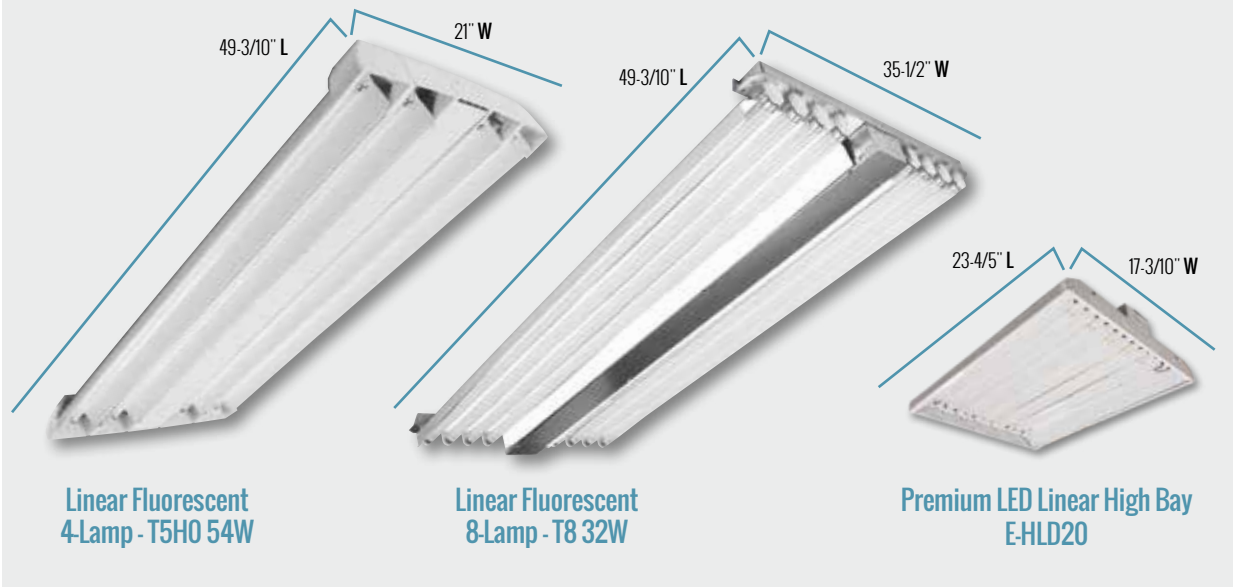


Locking Type Receptacle
(3-Blade Twist-Lock)
SKU: **E-ACRCPT31** (120V, 3-Wire, NEMA L5-15R)
E-ACRCPT32 (277V, 3-Wire, NEMA L7-15R)
E-ACRCPT34 (208V/240V, 3-Wire, NEMA L6-15R)

Size Comparison (LED vs. Fluorescent)

Compared to 4-Lamp - T5HO 54W & 8-Lamp - T8 32W Linear Fluorescents, the E-HLD20 Series:

- Is 60 - 75% smaller for ease of installation
- Consumes less power, while producing the same light output



HIGH BAYS & LOW BAYS

Due to continuous product improvement, information in this document is subject to change.

Revision Date: 11/30/16

1501 96th Street, Sturtevant, WI 53177 | Phone (888) 243-9445 | Fax (262) 504-5409 | www.e-conolight.com

