

# E-MS1L Series

LED Motion Security Light

Replaces 2 x 75W Incandescent Par 30 Lamps



White finish  
also available

**Detect motion up to 40 feet away - for increased security & peace of mind.**

### Efficient

- Consumes only 25W of power
- Robust construction provides excellent thermal management
- LED module reduces maintenance cycles

### Recommended Use

- Residential / commercial yards
- Receiving areas
- Storage facilities

### Input Voltage

- 120V Operation

### Flexible

- Dual heads allow light to be directed to meet your needs
- Suitable for residential and light commercial applications

### Motion Sensor

- 180° motion detection range
  - 15' to 40' sensitivity adjustment for motion detection
  - 10 second to 8 minute time delay adjustment\*
  - Ambient light level adjustment for day or night operation
- \* Time approximations

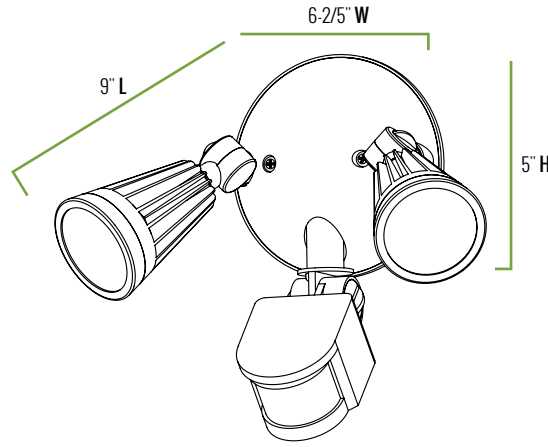
### Certifications



e-cono**light**<sup>®</sup>

Making LED easy.

# E-MS1L Series



## Series Overview

DIMENSIONS	PRODUCT WEIGHT	MOUNTING HEIGHT	SPACING
9" L x 6-2/5" W x 5" H	1.86 lbs.	7 to 10 feet	---

## Fixture Specifications

<b>HOUSING</b>	Die-cast aluminum housing with integrated heat sink fins for optimal thermal management Available in gray or white polyester powder-coat finish
<b>LENS ASSEMBLY</b>	Glass diffuser lens with white polycarbonate reflector for reduced glare
<b>MOUNTING</b>	Mounts directly to recessed junction box with included mounting plate

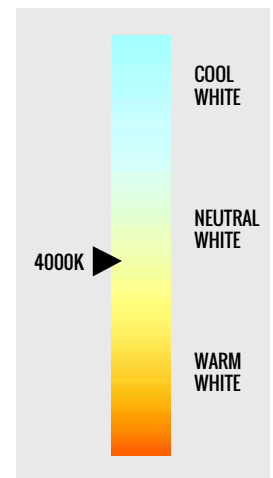
## Electrical Performance

OPERATING MINIMUM	LIFESPAN <small>L<sub>70</sub> AT 25°C (77°F)</small>	POWER FACTOR	TOTAL HARMONIC DISTORTION	DIMMABLE
-20°C (-4°F)	Estimated 100,000 Hours	> 0.9	< 20%	No
<b>INPUT VOLTAGE</b>	<b>120V</b>	<b>208V</b>	<b>240V</b>	<b>277V</b>
<b>Current Draw (Amps)</b>	0.23A	---	---	---

## Warranty & Certifications

WARRANTY	ETL LISTED	DLC	ENERGY STAR
5-Year Limited	Wet Locations	---	---

## CORRELATED COLOR TEMPERATURE (CCT)



## Output Specifications

SKU	LIGHT OUTPUT	COLOR TEMP <small>(See chart)</small>	POWER CONSUMPTION	COLOR ACCURACY	REPLACES
<b>E-MS1L021G</b> (Gray)	2300 Lumens	Neutral White (4000K)	28W	≥ 70 CRI	2 x 75W Incandescent Par 30 Lamps
<b>E-MS1L021NW</b> (White)	2300 Lumens	Neutral White (4000K)	28W	≥ 70 CRI	2 x 75W Incandescent Par 30 Lamps

Due to continuous product improvement, information in this document is subject to change.

Revision Date: 03/16/16

1501 96<sup>th</sup> Street, Sturtevant, WI 53177 | Phone (888) 243-9445 | Fax (262) 504-5409 | [www.e-conolight.com](http://www.e-conolight.com)

