

# E-S11, E-S12, E-S13 Series

LED Decorative Wall Sconce - Up or Down - Small, Medium, Large  
Replaces 60W / 100W Incandescent , 70W PSMH



## Recommended Use

- Steps
- Walkways
- Entryways

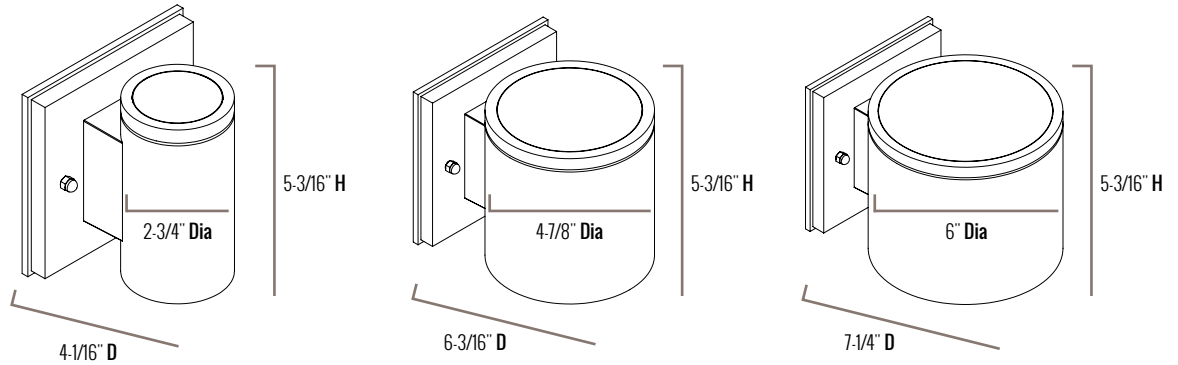
## Input Voltage

- Universal (120V through 277V Operation)

## Certifications



# E-S11, E-S12, E-S13 Series



## Series Overview

DIMENSIONS	PRODUCT WEIGHT	MOUNTING HEIGHT	SPACING
4-1/16" D x 5-3/16" H x 2-3/4" Dia (Small)	1.9 lbs. (Small)	8 to 15 feet	1 to 2 times the mounting height
6-3/16" D x 5-3/16" H x 4-7/8" Dia (Medium)	3.2 lbs. (Medium)		
7-1/4" D x 5-3/16" H x 6" Dia (Large)	4.5 lbs. (Large)		

## Fixture Specifications

<b>HOUSING</b>	Die-cast aluminum mounting box with extruded aluminum housing Available in black or white polyester powder-coat finish
<b>LENS ASSEMBLY</b>	Tempered glass lens is thermal, shock & impact resistant
<b>MOUNTING</b>	Mounting box measures 5" square (5-3/8" with gasket) Supplied with back mounting plate to mount over a 4" square or 4" octagonal junction box Silicone gasket provides a water tight seal

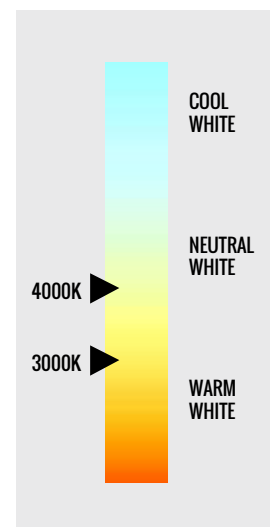
## Electrical Performance

OPERATING RANGE	LIFESPAN <small>L<sub>70</sub> AT 25°C (77°F)</small>	POWER FACTOR	TOTAL HARMONIC DISTORTION	DIMMABLE
-30°C (-22°F) - 40°C (104°F)	Estimated 100,000 Hours	> 0.9	< 20%	With most 0-10V dimmers
<b>INPUT VOLTAGE</b>	<b>120V</b>	<b>208V</b>	<b>240V</b>	<b>277V</b>
<b>Current Draw (Amps)</b>	0.08A (Small) 0.14A (Medium) 0.25A (Large)	0.05A (Small) 0.08A (Medium) 0.15A (Large)	0.04A (Small) 0.07A (Medium) 0.13A (Large)	0.04A (Small) 0.06A (Medium) 0.11A (Large)

## Warranty & Certifications

WARRANTY	ETL LISTED	DLC	ENERGY STAR
5-Year Limited	Wet Locations	---	---

## CORRELATED COLOR TEMPERATURE (CCT)



Due to continuous product improvement, information in this document is subject to change.

Revision Date: 09/22/16

1501 96<sup>th</sup> Street, Sturtevant, WI 53177 | Phone (888) 243-9445 | Fax (262) 504-5409 | www.e-conolight.com

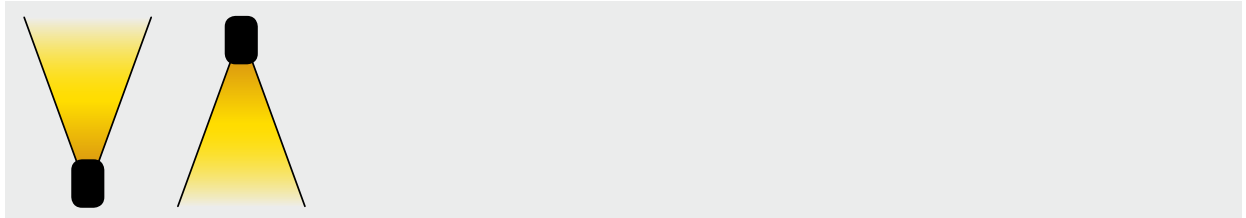
# E-S11, E-S12, E-S13 Series

## Output Specifications

SKU	LIGHT OUTPUT	COLOR TEMP (See chart)	POWER CONSUMPTION	COLOR ACCURACY	REPLACES
<b>E-S11L013U*</b> (Small)	650 Lumens	Warm White (3000K)	10W	≥ 80 CRI	60W Incandescent
<b>E-S11L014U*</b> (Small)	650 Lumens	Neutral White (4000K)	10W	≥ 80 CRI	60W Incandescent
<b>E-S12L013U*</b> (Medium)	1100 Lumens	Warm White (3000K)	16W	≥ 80 CRI	100W Incandescent
<b>E-S12L014U*</b> (Medium)	1100 Lumens	Neutral White (4000K)	16W	≥ 80 CRI	100W Incandescent
<b>E-S13L033U*</b> (Large)	2200 Lumens	Warm White (3000K)	30W	≥ 80 CRI	70W PSMH
<b>E-S13L034U*</b> (Large)	2200 Lumens	Neutral White (4000K)	30W	≥ 80 CRI	70W PSMH

\*Specify finish color: **K** = Black, **W** = White

## Orientation - Up or Down



**Note:** Mounted at 12 feet with 0° tilt