

# E-S21, E-S22, E-S23 Series

LED Decorative Wall Sconce - Up & Down - Small, Medium, Large  
Replaces 100W Incandescent, 50W / 70W PSMH



## Recommended Use

- Steps
- Walkways
- Entryways

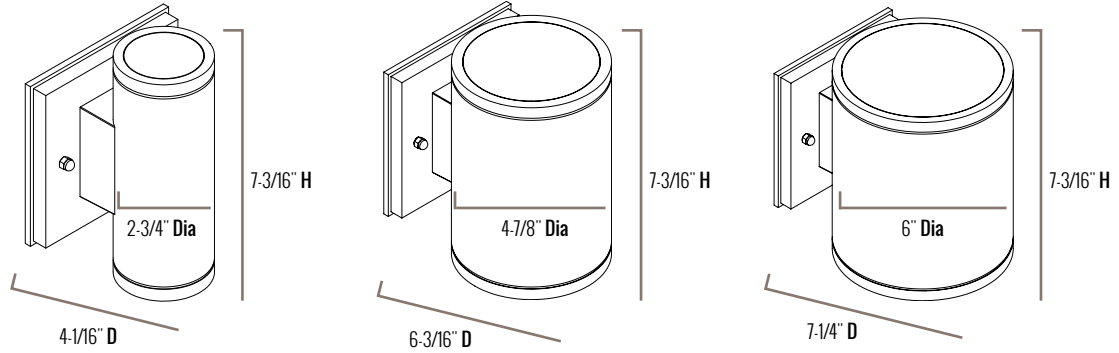
## Input Voltage

- Universal (120V through 277V Operation)

## Certifications



# E-S21, E-S22, E-S23 Series



## Series Overview

| DIMENSIONS                                  | PRODUCT WEIGHT    | MOUNTING HEIGHT | SPACING                          |
|---|-------------------|-----------------|----------------------------------|
| 4-1/16" D x 7-3/16" H x 2-3/4" Dia (Small)  | 2.4 lbs. (Small)  | 8 to 15 feet    | 1 to 2 times the mounting height |
| 6-3/16" D x 7-3/16" H x 4-7/8" Dia (Medium) | 4.2 lbs. (Medium) |                 |                                  |
| 7-1/4" D x 7-3/16" H x 6" Dia (Large)       | 6.2 lbs. (Large)  |                 |                                  |

## Fixture Specifications

|                      |   |
|----------------------|---|
| <b>HOUSING</b>       | Die-cast aluminum mounting box with extruded aluminum housing<br>Available in black or white polyester powder-coat finish   |
| <b>LENS ASSEMBLY</b> | Tempered glass lens is thermal, shock & impact resistant  |
| <b>MOUNTING</b>      | Mounting box measures 5" square (5-3/8" with gasket)<br>Supplied with back mounting plate to mount over a 4" square or 4" octagonal junction box<br>Silicone gasket provides a water tight seal |

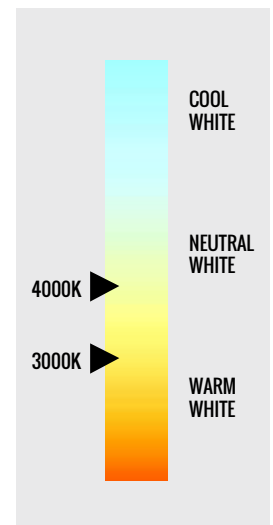
## Electrical Performance

| OPERATING RANGE              | LIFESPAN<br><small>L<sub>70</sub> AT 25°C (77°F)</small> | POWER FACTOR                                     | TOTAL HARMONIC DISTORTION                        | DIMMABLE   |
|------------------------------|--|--|--|--|
| -30°C (-22°F) - 40°C (104°F) | Estimated 100,000 Hours                                  | > 0.9  | < 20%  | With most 0-10V dimmers                          |
| <b>INPUT VOLTAGE</b>         | <b>120V</b>  | <b>208V</b>                                      | <b>240V</b>                                      | <b>277V</b>                                      |
| <b>Current Draw (Amps)</b>   | 0.12A (Small)<br>0.25A (Medium)<br>0.29A (Large)         | 0.07A (Small)<br>0.15A (Medium)<br>0.17A (Large) | 0.06A (Small)<br>0.13A (Medium)<br>0.15A (Large) | 0.05A (Small)<br>0.11A (Medium)<br>0.13A (Large) |

## Warranty & Certifications

| WARRANTY       | ETL LISTED    | DLC | ENERGY STAR |
|----------------|---------------|-----|-------------|
| 5-Year Limited | Wet Locations | --- | ---         |

## CORRELATED COLOR TEMPERATURE (CCT)



Due to continuous product improvement, information in this document is subject to change.

Revision Date: 09/22/16

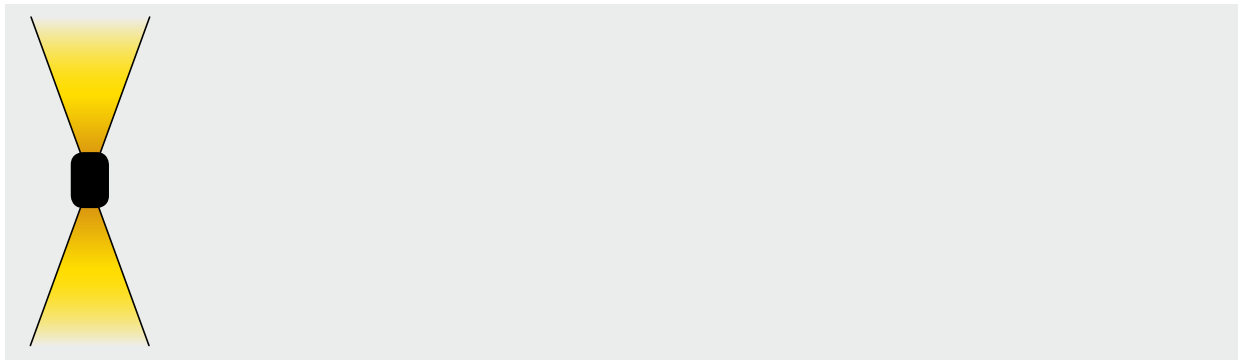
1501 96<sup>th</sup> Street, Sturtevant, WI 53177 | Phone (888) 243-9445 | Fax (262) 504-5409 | www.e-conolight.com

# E-S21, E-S22, E-S23 Series

## Output Specifications

| SKU                         | LIGHT OUTPUT      | COLOR TEMP<br>(See chart) | POWER CONSUMPTION | COLOR ACCURACY | REPLACES          |
|-----------------------------|-------------------|---------------------------|-------------------|----------------|-------------------|
| <b>E-S21L013UK</b> (Small)  | 1000 Total Lumens | Warm White (3000K)        | 14W Total         | ≥ 80 CRI       | 100W Incandescent |
| <b>E-S21L013UW</b> (Small)  | 1000 Total Lumens | Warm White (3000K)        | 14W Total         | ≥ 80 CRI       | 100W Incandescent |
| <b>E-S21L014UK</b> (Small)  | 1000 Total Lumens | Neutral White (4000K)     | 14W Total         | ≥ 80 CRI       | 100W Incandescent |
| <b>E-S21L014UW</b> (Small)  | 1000 Total Lumens | Neutral White (4000K)     | 14W Total         | ≥ 80 CRI       | 100W Incandescent |
| <b>E-S22L033UK</b> (Medium) | 1850 Total Lumens | Warm White (3000K)        | 30W Total         | ≥ 80 CRI       | 50W PSMH          |
| <b>E-S22L033UW</b> (Medium) | 1850 Total Lumens | Warm White (3000K)        | 30W Total         | ≥ 80 CRI       | 50W PSMH          |
| <b>E-S22L034UK</b> (Medium) | 1850 Total Lumens | Neutral White (4000K)     | 30W Total         | ≥ 80 CRI       | 50W PSMH          |
| <b>E-S22L034UW</b> (Medium) | 1850 Total Lumens | Neutral White (4000K)     | 30W Total         | ≥ 80 CRI       | 50W PSMH          |
| <b>E-S23L033UK</b> (Large)  | 2500 Total Lumens | Warm White (3000K)        | 34W Total         | ≥ 80 CRI       | 70W PSMH          |
| <b>E-S23L033UW</b> (Large)  | 2500 Total Lumens | Warm White (3000K)        | 34W Total         | ≥ 80 CRI       | 70W PSMH          |
| <b>E-S23L034UK</b> (Large)  | 2500 Total Lumens | Neutral White (4000K)     | 34W Total         | ≥ 80 CRI       | 70W PSMH          |
| <b>E-S23L034UW</b> (Large)  | 2500 Total Lumens | Neutral White (4000K)     | 34W Total         | ≥ 80 CRI       | 70W PSMH          |

## Orientation - Up or Down



**Note:** Mounted at 12 feet with 0° tilt