

E-SBA3 Series

LED Shoebox-Style Area Light - Type III
Replaces 320W PSMH/ 400W MH



Shown with 2" slip fitter
(sold separately)

Replace 320W PSMH / 400W MH with Type III or V Optics

A one-for-one replacement for traditional shoebox-style area lights! Wire to a new or existing pole for an instant application upgrade, all while consuming over 65% less power than 320W PSMH / 400W MH.

Type III Distribution

- Lateral light distribution - perfect for parking lots & large open areas
- Optimized optics for increased light control

Recommended Use

- General area lighting
- Parking lots & walkways
- Perimeter lighting

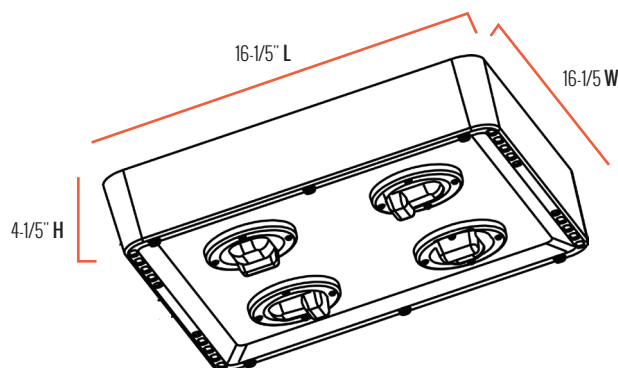
Input Voltage

- Universal (120V through 277V Operation)

Certifications



E-SBA3 Series



Series Overview

DIMENSIONS	PRODUCT WEIGHT	MOUNTING HEIGHT	SPACING
16-1/5" L x 16-1/5" W x 3-4/5" H	17.6 lbs.	15 to 25 feet	1 to 2 times the mounting height

Fixture Specifications

HOUSING	Durable, die-cast aluminum housing with heat dissipating fins Dark bronze polyester powder-coat finish
LENS ASSEMBLY	Optimized Type III optics
MOUNTING	Fixture comes without mounting (sold separately) For optimum fixture performance, no tilt recommended Can be tilted from 0° (Downlight) through 90° (Vertical). Do NOT use as an uplight.

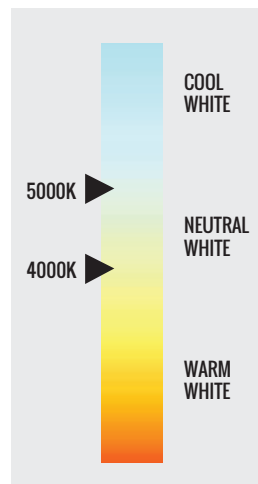
Electrical Performance

OPERATING MINIMUM	LIFESPAN <small>L₇₀ AT 25°C (77°F)</small>	POWER FACTOR	TOTAL HARMONIC DISTORTION	DIMMABLE
-40°C (-40°F)	Estimated > 127,000 Hours	> 0.9	< 20%	No
INPUT VOLTAGE	120V	208V	240V	277V
Current Draw (Amps)	1.1A	0.63A	0.55A	0.47A

Warranty & Certifications

WARRANTY	UL LISTED	DLC	ENERGY STAR
5-Year Limited	Wet Locations (0°-10° Tilt Only)	Yes, Premium	---

CORRELATED COLOR TEMPERATURE (CCT)



Output Specifications

SKU	LIGHT OUTPUT	COLOR TEMP <small>(See chart)</small>	POWER CONSUMPTION	COLOR ACCURACY	REPLACES
E-SBA3L110CZ	17,100 Lumens	Cool White (5000K)	119W	70 CRI	320W PSMH / 400W MH
E-SBA3L110NZ	16,100 Lumens	Neutral White (4000K)	119W	70 CRI	320W PSMH / 400W MH

Due to continuous product improvement, information in this document is subject to change. The UL logo is a registered trademark of UL LLC. The DLC QPL logo and the DLC QPL Premium logo are registered trademarks of Northeast Efficiency Partnerships, Inc.

Revision Date: 07/20/18

1501 96th Street, Sturtevant, WI 53177 | Phone (888) 243-9445 | Fax (262) 504-5409 | www.e-conolight.com

E-SBA3 Series

Accessories



Photocell - Button, 120V/208V/240V/277V

SKU: E-ACP1 (120V)

E-ACP2 (208V/240V/277V)

USE: Photocell is field installed
For use with 2" adjustable slip fitter only

Mounting Options (Use only when mounting E-SBA Series Area Lights)



2" Slip Fitter

SKU: E-ACS

USE: For pole mounting
Fits over 2-3/8" O.D. pipe



Adjustable U-Bracket

SKU: E-ACUSB

USE: For wall mounting
For use only with E-SBA



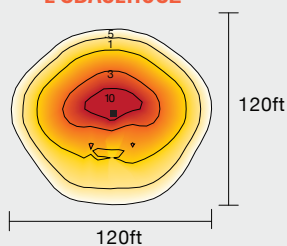
6" Mounting Arm

SKU: E-ACESB

USE: For pole mounting
For use only with E-SBA

Photometric Diagrams

E-SBA3L110CZ



Note: Shown with a mounting height of 20 feet and 0° tilt