

E-T6C3 Series

LED 5" & 6" Recessed Retrofit Kits - 800 / 1200 Lumens
 Replaces 65W / 100W Incandescent



Impressive Color Rendering & Great Versatility

Replace old 65W / 100W incandescent lamps with LED Recessed Retrofit Kits. Kits are easy to install with included Edison-style socket adaptor and squeeze torsion springs, and has an impressive 90+ CRI.

Durable

- Spun aluminum trim
- ABS plastic housing
- Polycarbonate diffused lens

Input Voltage

- 120V Operation

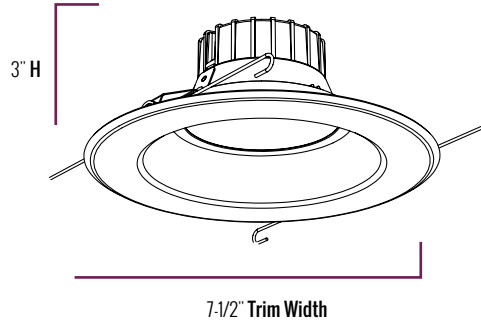
Recommended Use

- Variety of 5" & 6" (E-T6C) recessed housings

Certifications



E-T6C3 Series



RECESSED

Series Overview

DIMENSIONS	PRODUCT WEIGHT	MOUNTING HEIGHT	SPACING
3" H x 7-1/2" Trim Width	0.47 lbs. (800 Lumens) 0.55 lbs. (1200 Lumens)	---	---

Fixture Specifications

HOUSING	Spun aluminum (trim) ABS plastic (housing) White powder-coat finish
LENS ASSEMBLY	Polycarbonate diffused lens
MOUNTING	Adjustable torsion spring clips all for easy installation into most 5" & 6" incandescent housings with a minimum depth of 7.09" and minimum diameter of 5.31" Edison-style socket adaptor included

Electrical Performance

OPERATING MINIMUM	LIFESPAN <i>L₇₀</i> AT 25°C (77°F)	POWER FACTOR	TOTAL HARMONIC DISTORTION	DIMMABLE
-18°C (0°F)	Estimated 36,000 Hours (800 Lumens) > 53,000 Hours (1200 Lumens)	> 0.9	< 20%	Yes
INPUT VOLTAGE	120V	208V	240V	277V
Current Draw (Amps)	0.105A (800 Lumens) 0.158A (1200 Lumens)	---	---	---

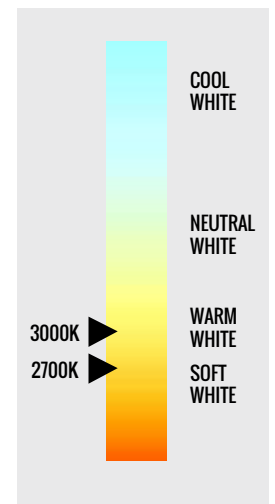
Warranty & Certifications

WARRANTY	UL CLASSIFIED	DLC	ENERGY STAR
5-Year Limited	Wet Locations	---	Yes

Output Specifications

SKU	LIGHT OUTPUT	COLOR TEMP (See chart)	POWER CONSUMPTION	COLOR ACCURACY	REPLACES
E-T6C3122WW	800 Lumens	Soft White (2700K)	12W	≥ 90 CRI	65W Incandescent
E-T6C3123WW	800 Lumens	Warm White (3000K)	12W	≥ 90 CRI	65W Incandescent
E-T6C3192WW	1200 Lumens	Soft White (2700K)	19W	≥ 90 CRI	100W Incandescent
E-T6C3193WW	1200 Lumens	Warm White (3000K)	19W	≥ 90 CRI	100W Incandescent

CORRELATED COLOR TEMPERATURE (CCT)



Due to continuous product improvement, information in this document is subject to change.

Revision Date: 11/30/16

1501 96th Street, Sturtevant, WI 53177 | Phone (888) 243-9445 | Fax (262) 504-5409 | www.e-conolight.com



E-T6C3 Series

Accessories



GU24 Socket Adaptor
SKU: **E-T6C-GU24**

Recommended Dimmers

800 Lumens

Lutron: TGCL-153PH-WH
Cooper: DAL06P-W-K
Cooper: 9530WS-K

1200 Lumens

Lutron: TGCL-153-PH
Lutron: SCL-153P-WH
Cooper: DAL06P-C2

NOTE: The presence of a dimmer on this chart is not a guarantee or warranty of the compatibility of the fixture in any particular installation.
The absence of a dimmer from this chart does not necessarily imply incompatibility.

RECESSED

Due to continuous product improvement, information in this document is subject to change.

Revision Date: 11/30/16

1501 96th Street, Sturtevant, WI 53177 | Phone (888) 243-9445 | Fax (262) 504-5409 | www.e-conolight.com

