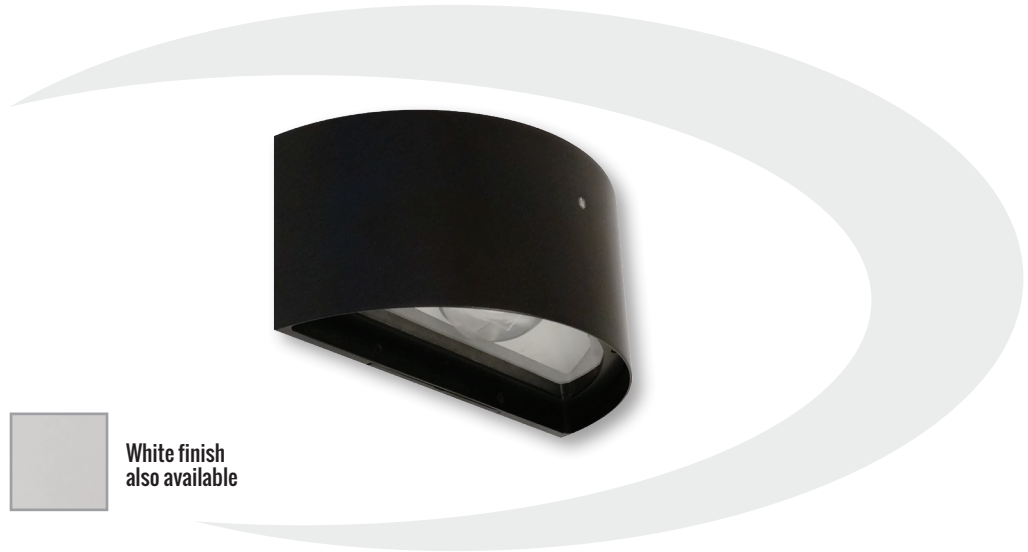


E-RS4 Series

LED Radial Wall Pack
Replaces 175W MH



Striking Energy Savings!

Using 65% less energy than 175W MH, this high-performance wall pack makes a great impression.

Efficient

- Integrated photocell for reduced energy waste

Full Cutoff

- Optically controlled beam pattern for excellent light quality

Recommended Use

- General area lighting
- Security lighting
- Perimeter lighting

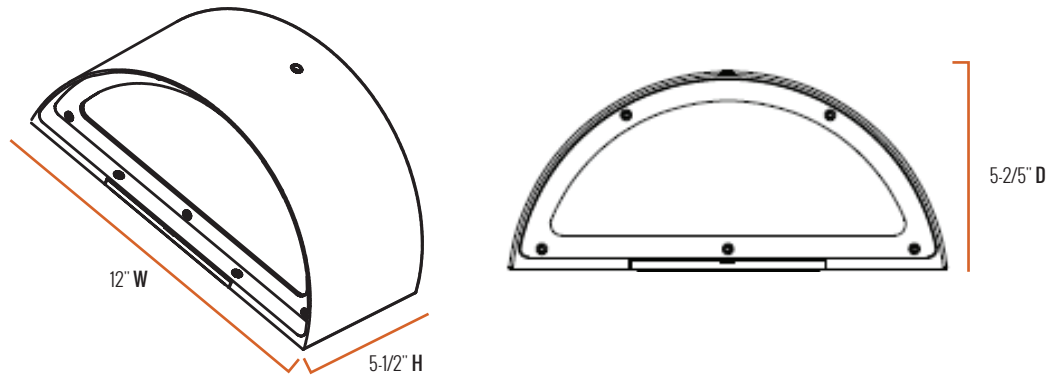
Input Voltage

- 120V or 277V operation

Certifications



E-RS4 Series



Series Overview

DIMENSIONS	PRODUCT WEIGHT	MOUNTING HEIGHT	SPACING
5-2/5" D x 12" W x 5-1/2" H	8.8 lbs.	10 to 15 feet	1 to 2 times the mounting height

Fixture Specifications

HOUSING	Sturdy, die-cast aluminum housing Available in black or white polyester powder-coat finish
LENS ASSEMBLY	Silicone optic eliminates optical degradation
MOUNTING	Mounts over a 3-1/2" or 4" octagonal or 4" square recessed junction box

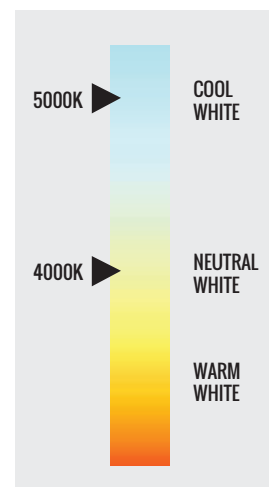
Electrical Performance

OPERATING MINIMUM	LIFESPAN <small>L₇₀ AT 25°C (77°F)</small>	POWER FACTOR	TOTAL HARMONIC DISTORTION	DIMMABLE
-30°C (-22°F)	Estimated >100,000 Hours	> 0.9	< 20%	No
INPUT VOLTAGE	120V	208V	240V	277V
Current Draw (Amps)	0.61A	---	---	0.29A

Warranty & Certifications

WARRANTY	ETL LISTED	DLC	ENERGY STAR
5-Year Limited	Wet Locations	---	---

CORRELATED COLOR TEMPERATURE (CCT)

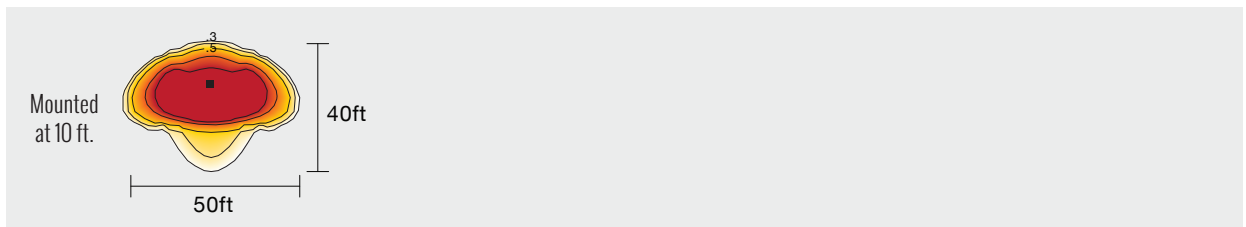


E-RS4 Series

Output Specifications

SKU	LIGHT OUTPUT	COLOR TEMP (See chart)	POWER CONSUMPTION	COLOR ACCURACY	REPLACES
E-RS4L1075UK (Black)	5200 Lumens	Cool White (5000K)	70W	≥ 70 CRI	175W MH
E-RS4L1075UW (White)	5200 Lumens	Cool White (5000K)	70W	≥ 70 CRI	175W MH
E-RS4L1074UK (Black)	5450 Lumens	Neutral White (4000K)	70W	≥ 70 CRI	175W MH
E-RS4L1074UW (White)	5450 Lumens	Neutral White (4000K)	70W	≥ 70 CRI	175W MH

Photometric Diagrams



All published photometric testing performed to IESNA LM-79-08 standards by a NVLAP certified laboratory. Fixture photometry was completed on a single representative fixture.

WALL PACKS

Due to continuous product improvement, information in this document is subject to change.

Revision Date: 04/17/17

1501 96th Street, Sturtevant, WI 53177 | Phone (888) 243-9445 | Fax (262) 504-5409 | www.e-conolight.com

e-conolight®