

E-WFT03 Series

LED Traditional Style Wall Pack - Small
Replaces 100W PSMH

Average Customer Rating



A new twist on an old classic!

Efficient

- Uses 50% less energy than comparable HID fixtures
- Quick, easy installation

Durable

- Lens is heat and shock resistant
- Powder-coat finish withstands the test of time

Recommended Use

- Security
- Pathways
- Perimeter lighting

Input Voltage

- Universal (120V through 277V Operation)

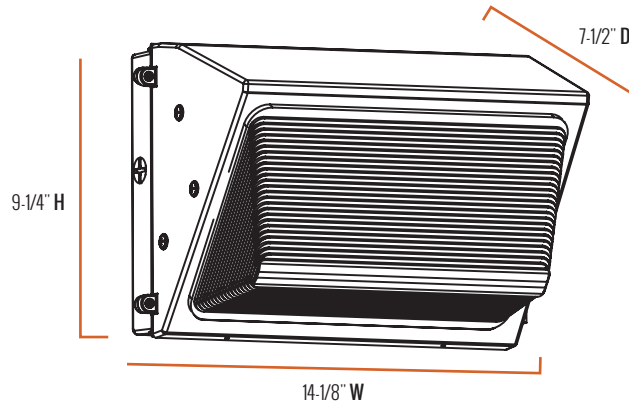
Certifications



e-conolight® | Quality Products, Affordably Priced.



E-WTF03 Series



Series Overview

DIMENSIONS	PRODUCT WEIGHT	MOUNTING HEIGHT	SPACING
7-1/2" D x 14-1/8" W x 9-1/4" H	8.6 lbs.	8 to 18 feet	2 to 3 times the mounting height

Fixture Specifications

HOUSING	Heavy duty, die-cast aluminum housing with hinged door frame Dark bronze polyester powder-coat finish
LENS ASSEMBLY	Heat and shock-resistant borosilicate glass prismatic lens
MOUNTING	1/2" NPT tapped knockouts for conduit entrances (one on top, one on each side, one on back)

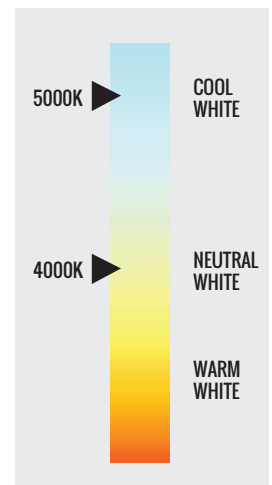
Electrical Performance

OPERATING MINIMUM	LIFESPAN <small>L₇₀ AT 25°C (77°F)</small>	POWER FACTOR	TOTAL HARMONIC DISTORTION	DIMMABLE
-40°C (-40°F)	Estimated 76,000 Hours	> 0.9	< 20%	No
INPUT VOLTAGE	120V	208V	240V	277V
Current Draw (Amps)	0.275A	0.16A	0.14A	0.12A

Warranty & Certifications

WARRANTY	UL LISTED	DLC	ENERGY STAR
5-Year Limited	Wet Locations	No	No

CORRELATED COLOR TEMPERATURE (CCT)



Output Specifications

SKU	LIGHT OUTPUT	COLOR TEMP <small>(See chart)</small>	POWER CONSUMPTION	COLOR ACCURACY	REPLACES
E-WTF03A-N50Z	3400 Lumens	Cool White (5000K)	33W	≥ 70 CRI	100W PSMH
E-WTF03A-N40Z	3200 Lumens	Neutral White (4000K)	33W	≥ 70 CRI	100W PSMH

Due to continuous product improvement, information in this document is subject to change.

Revision Date: 04/17/17

1501 96th Street, Sturtevant, WI 53177 | Phone (888) 243-9445 | Fax (262) 504-5409 | www.e-conolight.com



E-WFT03 Series

Accessories



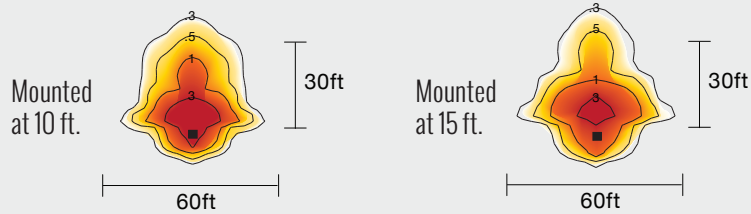
Photocell - Button, 120V/208V/240V/277V

SKU: E-ACP1 (120V)

E-ACP2 (208V/240V/277V)

USE: Photocell is field installed.
Drilling of the back box in the field is required.

Photometric Diagrams



All published photometric testing performed to IESNA LM-79-08 standards by a NVLAP certified laboratory. Fixture photometry was completed on a single representative fixture.

Generational Chart

OLD SERIES	NEW SERIES
E-WP8 Series	E-WFT03 Series

Due to continuous product improvement, information in this document is subject to change.

Revision Date: 04/17/17

1501 96th Street, Sturtevant, WI 53177 | Phone (888) 243-9445 | Fax (262) 504-5409 | www.e-conolight.com

