

# E-WG Series

LED Globe

Replaces 75W Incandescent



## Classic Residential Look & Feel

e-conolight's LED Globe fixture provides exceptional security lighting, while reducing energy and maintenance costs. Its traditional design and long lifetime makes it a smart upgrade choice.

### Value

- Built-in photocell
- Long lifetime - up to 172,000 hours

### Low Maintenance

- Fully-gasketed lens keeps bugs out
- No relamping required

### Recommended Use

- Security
- Pathways
- Perimeter lighting

### Input Voltage

- 120V Operation with built-in photocell

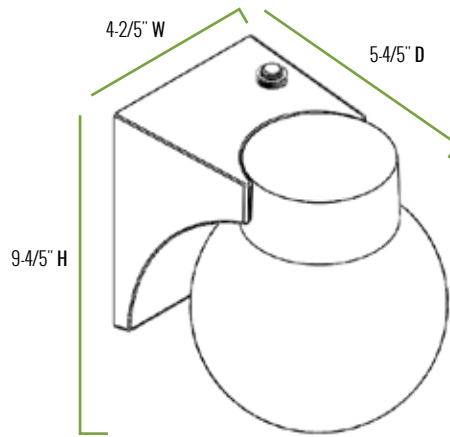
### Certifications



e-conolight®

Making LED e asy.

# E-WG Series



## Series Overview

DIMENSIONS	PRODUCT WEIGHT	MOUNTING HEIGHT	SPACING
5-4/5" D x 4-2/5" W x 9-4/5" H	2.22 lbs.	6 to 10 feet	---

## Fixture Specifications

<b>HOUSING</b>	Die-cast aluminum housing Available in dark bronze or white finish
<b>LENS ASSEMBLY</b>	Screw-in polycarbonate lens
<b>MOUNTING</b>	Bracket with threaded nipple mounts to standard 3" or 4" octagonal junction box

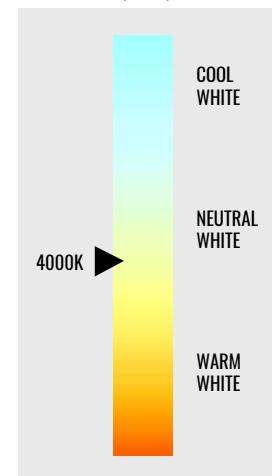
## Electrical Performance

OPERATING MINIMUM	LIFESPAN <small>L<sub>70</sub> AT 25°C (77°F)</small>	POWER FACTOR	TOTAL HARMONIC DISTORTION	DIMMABLE
-40°C (-40°F)	Estimated 172,000 Hours	> 0.9	< 20%	No
<b>INPUT VOLTAGE</b>	<b>120V</b>	<b>208V</b>	<b>240V</b>	<b>277V</b>
Current Draw (Amps)	0.18A	---	---	---

## Warranty & Certifications

WARRANTY	UL LISTED	DLC	ENERGY STAR
5-Year Limited	Wet Locations	---	---

## CORRELATED COLOR TEMPERATURE (CCT)



## Output Specifications

SKU	LIGHT OUTPUT	COLOR TEMP <small>(See chart)</small>	POWER CONSUMPTION	COLOR ACCURACY	REPLACES
<b>E-WG1L21NZP</b>	828 Lumens	Neutral White (4000K)	22W	≥ 70 CRI	75W Incandescent
<b>E-WG1L21NWP</b>	828 Lumens	Neutral White (4000K)	22W	≥ 70 CRI	75W Incandescent



**WARNING:** Cancer and Reproductive Harm - [www.p65warnings.ca.gov](http://www.p65warnings.ca.gov)

Due to continuous product improvement, information in this document is subject to change.

Revision Date: 05/03/16

1501 96<sup>th</sup> Street, Sturtevant, WI 53177 | Phone (888) 243-9445 | Fax (262) 504-5409 | [www.e-conolight.com](http://www.e-conolight.com)

