

E-WP11 Series

Premium LED Wall Pack - Medium
Replaces 150W PSMH



Replace up to 150W For Less

Eliminate glare and uplight with e-conolight's Premium LED Wall Packs.

Efficient

- Full cutoff design for direct downlight and true IES Type III distribution
- Long estimated lifetime and low energy usage

Value

- High-quality aluminum construction
- Use up to 60% less energy than previous models

Recommended Use

- Security
- Pathways
- Perimeter lighting
- When control of spill light is important

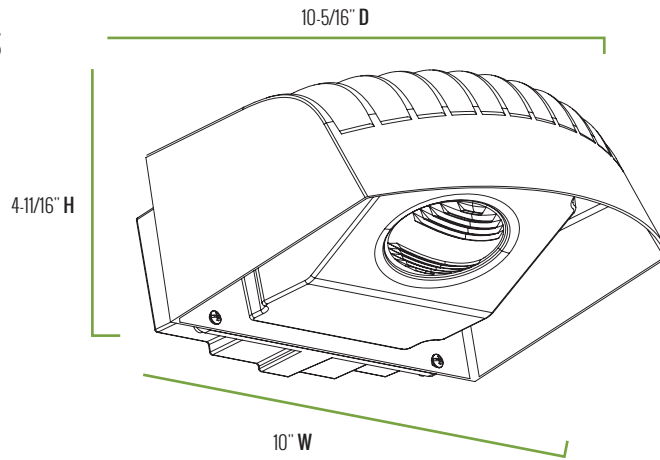
Input Voltage

- Universal (120V through 277V Operation)

Certifications



E-WP11 Series



Series Overview

DIMENSIONS	PRODUCT WEIGHT	MOUNTING HEIGHT	SPACING
10-5/16" D x 10" W x 4-11/16" H	7.26 lbs.	15 to 18 feet	4 times the mounting height

Fixture Specifications

HOUSING	Low copper, die-cast aluminum housing and frame Dark bronze polyester powder-coat finish Heat dissipating fins
LENS ASSEMBLY	Fixed cutoff glare shield to reduce light pollution Tempered glass lens is thermal, shock & impact resistant Patented lens design delivers true IES Type III distribution
MOUNTING	1/2" threaded conduit entries on two sides and bottom or mount over recessed junction box Die-cast detachable back box for easy mounting

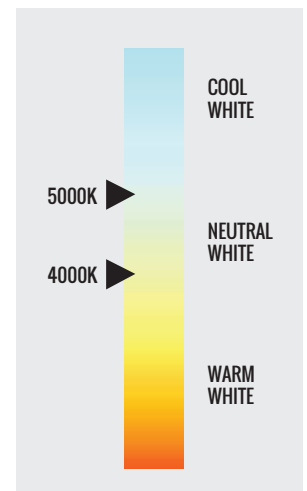
Electrical Performance

OPERATING MINIMUM	LIFESPAN <small>L₇₀ AT 25°C (77°F)</small>	POWER FACTOR	TOTAL HARMONIC DISTORTION	DIMMABLE
-40°C (-40°F)	Estimated 118,000 Hours	> 0.9	< 20%	No
INPUT VOLTAGE	120V	208V	240V	277V
Current Draw (Amps)	0.65A	0.38A	0.33A	0.30A

Warranty & Certifications

WARRANTY	UL LISTED	ENERGY STAR
5-Year Limited	Wet Locations	---

CORRELATED COLOR TEMPERATURE (CCT)



Output Specifications

SKU	LIGHT OUTPUT	COLOR TEMP <small>(See chart)</small>	POWER CONSUMPTION	COLOR ACCURACY	REPLACES
E-WP11L07CZ	6000 Lumens	Cool White (5000K)	75W	≥ 70 CRI	150W PSMH
E-WP11L07NZ	6000 Lumens	Neutral White (4000K)	75W	≥ 70 CRI	150W PSMH

Due to continuous product improvement, information in this document is subject to change.

Revision Date: 05/03/16

1501 96th Street, Sturtevant, WI 53177 | Phone (888) 243-9445 | Fax (262) 504-5409 | www.e-conolight.com



E-WP11 Series

Accessories



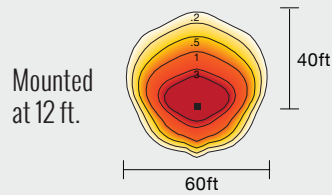
Photocell - Button, 120V/208V/240V/277V

SKU: E-ACP1 (120V)

E-ACP2 (208V/240V/277V)

USE: Photocell is field installed.
Drilling of the back box in the field is required.

Photometric Diagrams



All published photometric testing performed to IESNA LM-79-08 standards by a NVLAP certified laboratory. Fixture photometry was completed on a single representative fixture.