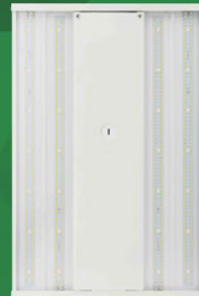




1X2 :
90W / 130W



2X2:
180W / 210W



1X4 :
130W / 180W



2X4:
270W / 300W / 370W

Product Overview

High performing, DLC Premium Linear High Bay lights are an energy-efficient replacement for traditional T5 or T8 fixtures with mounting heights ranging from 15' to 60'. They are widely used in warehouses, workshops, convention centers, gymnasiums, factories and other industrial and commercial indoor areas. They are also UL Damp Location Listed, making them ideal for settings where they may be exposed to moisture.



Key Features

CONSTRUCTION:

- Rugged cold-rolled steel housing in a slim and modern design.

FINISH:

- The exterior is protected by a white rust-resistant powder coat finish that provides superior resistance to weathering and corrosion.

OPTICS:

- Light engines are available in standard 4000K and 5000K configurations.
- A range of lumen options available from 12,600 to 50,500 Lumens, replaces up to 20 F54T5 or 24 F32T8.
- UGR: <22, as per the DLC 5.1 requirements.

ELECTRICAL:

- Standard 120-277V input voltage, optional 347-480V input voltage.
- Standard 6KV surge protection, meeting the industrial ANSI standards.
- 1-10V dimming driver(s) as default.
- THD: ≤20%, Power Factor: ≥90%.

CONTROLS:

- Optional multi-level motion sensor - BRI823.
- Optional emergency battery backup provides up to 90 minutes of operation during outages.

INSTALLATION:

- Chain mount with included steel wire rope.
- Pendant mount with optional pendant hanger (unavailable for 1x2 90W/130W).
- Optional wire guard protects lens against impact.

LIFESPAN:

- Estimated 50,000-hour LED lifespan based on IES LM-80 results and TM-21 calculations.

LISTINGS:

- DesignLights Consortium® (DLC) Premium qualified.
- UL listed for damp locations.
- Rated for ambient operating temperature -40°F to 131°F (-40°C to 55°C).

Performance Data

Lumen Output

System Watts	Voltage	Photometry	4000K(80CRI)		5000K(80CRI)	
			Lumens	Efficacy	Lumens	Efficacy
90W	120-277V / 347-480V	General High Bay	12600lm	140lm/W	12600lm	140lm/W
130W	120-277V / 347-480V	General High Bay	18500lm	142lm/W	18500lm	142lm/W
180W	120-277V / 347-480V	General High Bay	25200lm	140lm/W	25200lm	140lm/W
210W	120-277V / 347-480V	General High Bay	29000lm	138lm/W	29000lm	138lm/W
L130W	120-277V / 347-480V	General High Bay	18500lm	142lm/W	18500lm	142lm/W
L180W	120-277V / 347-480V	General High Bay	24000lm	133lm/W	24000lm	133lm/W
270W	120-277V / 347-480V	General High Bay	37000lm	137lm/W	37000lm	137lm/W
300W	120-277V / 347-480V	General High Bay	41500lm	138lm/W	41500lm	138lm/W
370W	120-277V / 347-480V	General High Bay	50500lm	136lm/W	50500lm	136lm/W

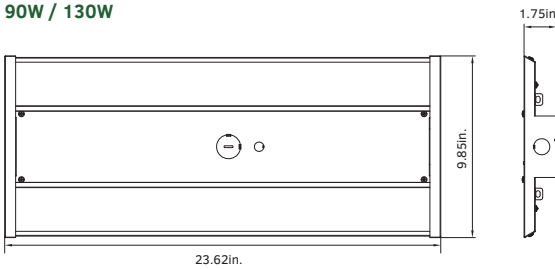
Electrical Data

Number of Drivers	Driver Current (mA)	Nominal Power (W)	Input Voltage (V)	Current (Amps)
1	2400	90	120	0.75
		90	208	0.43
		90	240	0.38
		90	277	0.32
		90	347	0.26
		90	480	0.19
2	3300	130	120	1.08
		130	208	0.63
		130	240	0.54
	3200	130	277	0.47
		130	347	0.37
		130	480	0.27
2	4800	180	120	1.50
		180	208	0.87
		180	240	0.75
		180	277	0.65
		180	347	0.52
		180	480	0.38
2	5200	210	120	1.75
		210	208	1.01
		210	240	0.88
		210	277	0.76
		210	347	0.61
		210	480	0.44
2	3300	L130	120	1.08
		L130	208	0.63
		L130	240	0.54
	3200	L130	277	0.47
		L130	347	0.37
		L130	480	0.27

Number of Drivers	Driver Current (mA)	Nominal Power (W)	Input Voltage (V)	Current (Amps)
2	4800	L180	120	1.50
		L180	208	0.87
		L180	240	0.75
		L180	277	0.65
		L180	347	0.52
		L180	480	0.38
4	6520	270	120	2.25
		270	208	1.30
		270	240	1.13
	6400	270	277	0.97
		270	347	0.78
		270	480	0.56
4	7200	300	120	2.50
		300	208	1.44
		300	240	1.25
	7400	300	277	1.08
		300	347	0.86
		300	480	0.63
4	9600	370	120	3.08
		370	208	1.78
		370	240	1.54
		370	277	1.34
		370	347	1.07
		370	480	0.77

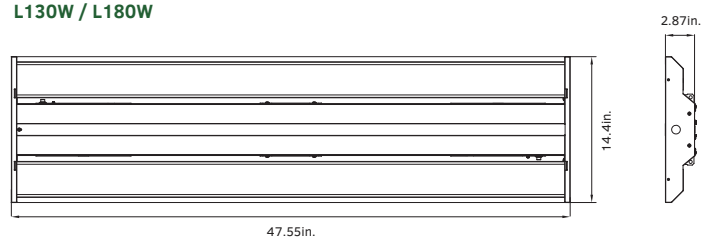
Dimensions & Weight

90W / 130W



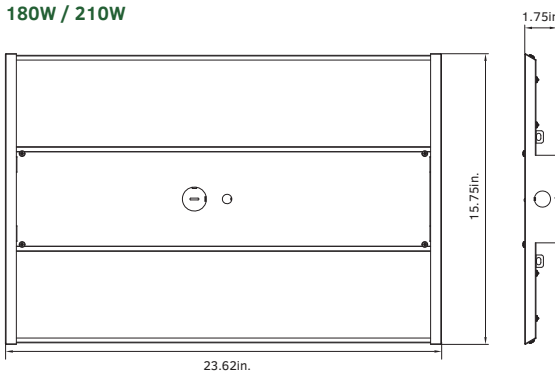
Weight
 90W: 5.84 lbs
 130W: 7.32 lbs

L130W / L180W



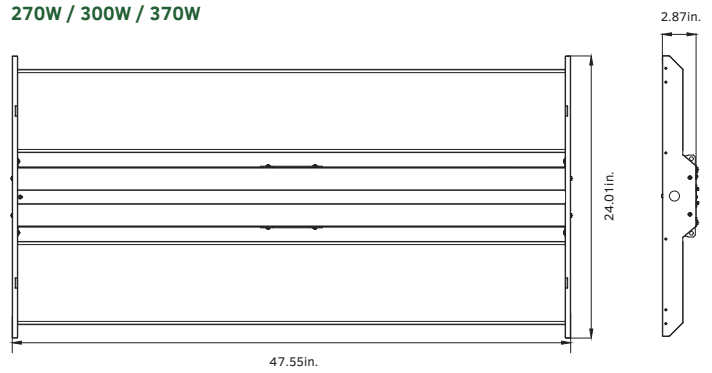
Weight
 L130W: 13.91 lbs
 L180W: 14.76 lbs

180W / 210W



Weight
 180W: 9.19 lbs
 210W: 9.26 lbs

270W / 300W / 370W



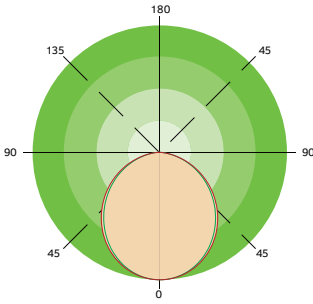
Weight
 270W: 22.46 lbs
 300W: 22.49 lbs
 370W: 22.50 lbs



10330 Argonne Woods Dr. Ste. 200
 Woodridge, IL 60517
 Phone: 630-793-9449
 Web: www.gkoled.com

Photometric Distribution

General



Ordering Information

Linear High Bay Series GKOMLHG4				Example: GKOMLHG4130W27V50KCD			
Fixture Type	Wattage	Voltage	CCT	Lens	Sensor (Optional)	Emergency Battery (Optional)	Internal Code
<input type="text"/>	<input type="text"/>	<input type="text"/>	<input type="text"/>	<input type="text"/>	<input type="text"/>	<input type="text"/>	<input type="text"/>
GKOMLHG4	90W	27V 120-277V	40K 4000K	CD Clear Lens	M With 120-277V Sensor	B With Battery	Blank
	130W	48V 347-480V	50K 5000K		Blank Without Sensor	Blank Without Battery	
	180W						
	210W						
	L130W						
	L180W						
	270W						
	300W						
370W							

Note: 1. Not all product variations listed on this page are DLC qualified. Visit www.designlights.org/search to confirm qualification.
 2. Emergency Battery Backup is not available for 347-480V.