



E-SDR SERIES

LED Surface Mount Disk Light
Replaces up to 75W Incandescent



Easy Install, Easy Energy Savings

Designed to accomplish the task of recessed lighting without the time and cost of labor, our ENERGY STAR® certified E-SDR Series LED Surface Mount Disk Light comes available in 4 inches or 6 inches and delivers up to 835 lumens in 2700K and 3000K, with a 90 CRI. It's perfect for showers and soffits, with 120V AC input and no driver required. For ultimate energy savings, dim the E-SDR Series down to 10% with TRIAC dimmers.

Features & Benefits

- Wet location rated; perfect for showers and soffits
- CSA Certified, Energy Star, Title 24
- Dimmable to 10% with TRIAC dimmers

Recommended Use

- Residential
- Commercial

Input Voltage

- 120V Operation

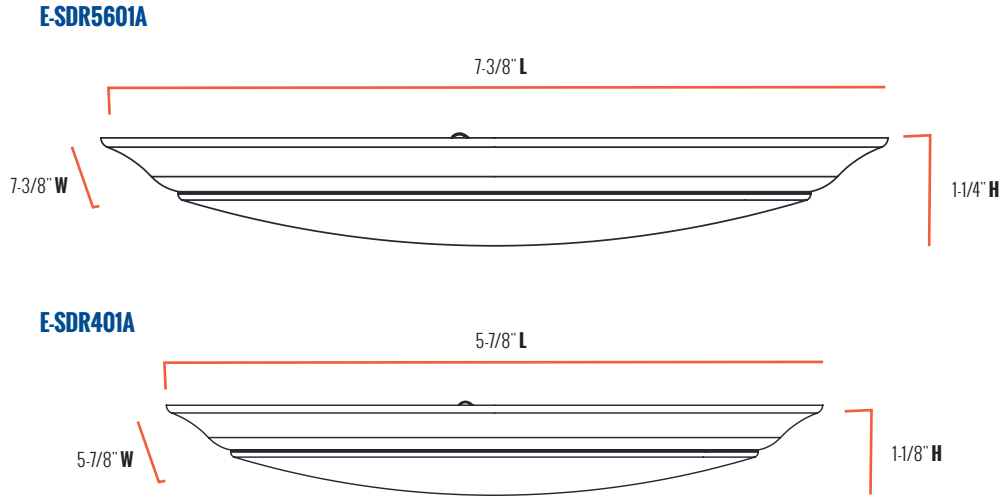
Certifications



 **WARNING:** Cancer and Reproductive Harm - www.p65warnings.ca.gov



E-SDR SERIES



SERIES OVERVIEW

DIMENSIONS	PRODUCT WEIGHT
E-SDR5601A-S301W : 7-3/8" L X 7-3/8" W X 1-1/4" H	0.68 lbs.
E-SDR5601A-S271W : 7-3/8" L X 7-3/8" W X 1-1/4" H	0.68 lbs.
E-SDR401A-S301W : 5-7/8" L X 5-7/8" W X 1-1/8" H	0.35 lbs.
E-SDR401A-S271W : 5-7/8" L X 5-7/8" W X 1-1/8" H	0.35 lbs.

FIXTURE SPECIFICATIONS

HOUSING	White, durable aluminum
LENS ASSEMBLY	Polycarbonate
MOUNTING	Installs into 4-inch junction box or into existing recessed can

WARRANTY & CERTIFICATIONS

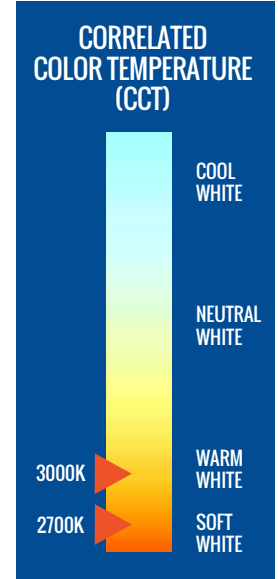
WARRANTY	5-Year Limited
cSAus LISTED	Wet locations
ENERGY STAR	Yes

E-SDR SERIES

ELECTRICAL PERFORMANCE

OPERATING RANGE	LIFESPAN L70 AT 25°C (77°F)	POWER FACTOR	TOTAL HARMONIC DISTORTION	DIMMABLE
0°F to 104°F (-18°C to 40°C)	Estimated >50,000 Hours	> 0.9	< 20%	Yes, to 10% TRIAC dimming

INPUT VOLTAGE Current Draw (Amps)	120V
E-SDR5601A-S301W	0.137A
E-SDR5601A-S271W	0.137A
E-SDR401A-S301W	0.11A
E-SDR401A-S271W	0.11A



OUTPUT SPECIFICATIONS

SKU	REPLACES	LIGHT OUTPUT	COLOR TEMP	POWER CONSUMPTION	COLOR ACCURACY	ENERGY STAR
E-SDR5601A-S301W	75W Incandescent	835 Lumens	Warm White (3000K)	15W LED	≥ 90	Yes
E-SDR5601A-S271W	75W Incandescent	835 Lumens	Soft White (2700K)	15W LED		Yes
E-SDR401A-S301W	65W Incandescent	730 Lumens	Warm White (3000K)	12W LED		Yes
E-SDR401A-S271W	65W Incandescent	730 Lumens	Soft White (2700K)	12W LED		Yes

RECOMMENDED DIMMERS

- Lutron **D603-PGH-DK**
- Lutron **LG-600H-WH**
- Lutron **SCL-153PR-WH**
- Lutron **TGCL-153PH-WH**
- Lutron **DNG-600PH-DK**
- Lutron **DVCL-153PR-WH**
- Lutron **CT-600PR-WH**
- Lutron **DV-600PR-WH**
- Lutron **MACC-153MH-WH**
- Lutron **LG-600PH-AL**
- Lutron **S-600PR-WH**
- Lutron **TG-600PR-WH**
- Lutron **CTCL-153PR-WH**
- Leviton **6602**

NOTE: The presence of a dimmer on this chart is not a guarantee or warranty of the compatibility of the fixture in any particular installation. The absence of a dimmer from this chart does not necessarily imply incompatibility.

© 2020 Cree Lighting, a company of IDEAL INDUSTRIES. All rights reserved. For informational purposes only. Content is subject to change. The savr logo is a trademark of e-conolight, LLC. The cSAus logo is a registered trademark of UL LLC.

e-conolight / savr / C-Lite:
e-conolight.com | Customer Service: 888-243-9445 | Fax: 262-504-5409
1501 96th Street, Sturtevant, WI 53177

Cree Lighting US / C-Lite Distribution Sales:
creelighting.com | Distribution/Sales: 855-617-2733
9201 Washington Avenue, Racine, WI, 53406